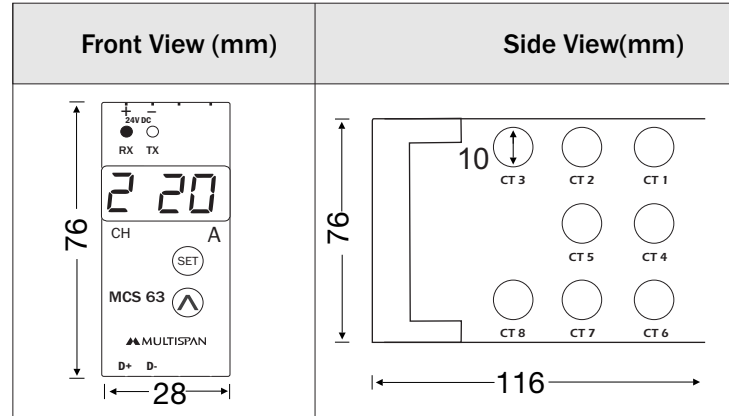




ENVIRONMENTAL CONDITION :

Working Temperature	0 to 55 °C
Storage Temperature	0 to 55 °C
Relative Humidity	95 % RH Non - Condensing

MECHANICAL DIMENSION



TECHNICAL SPECIFICATION

INPUT SPECIFICATION :

Current AC	1 To 60 Amp.
Burden	< 0.2VA
Overload	Up to 65A continuous

CALCULATED PARAMETERS :

6 Different CT Current

DISPLAY & KEYS :

Display	3 Digit, 7 Seg., 0.36", Red.
Keys	SET, INC

DIMENSION :

Size (mm)	76(H) x 28(W) x 116(D)
-----------	------------------------

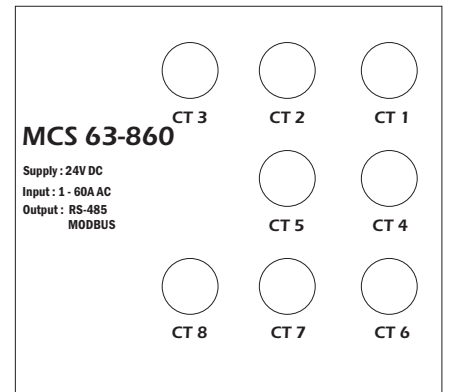
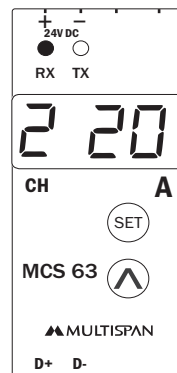
COMMUNICATION SPECIFICATION :

Protocol	Modbus RTU Serial
Standard	RS - 485
Communication method	2 wire half duplex
Data frame	N-8-0,N-8-1,N-8-2
Communication rate	2400,4800,9600,19200,38400
Slave Address	1 to 127
Data type	Integer,Float

AUXILIARY POWER SUPPLY :

Power Supply	24 V DC
--------------	---------

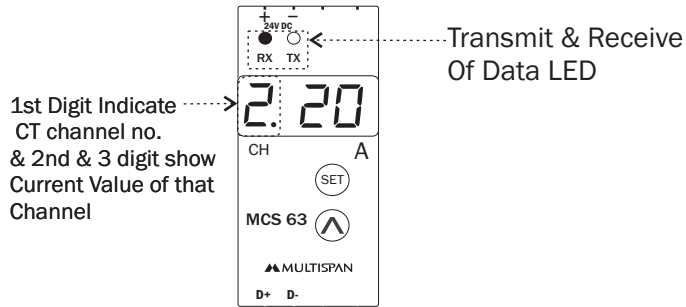
TERMINAL CONNECTION



KEY OPERATION

FUNCTION	KEY PRESS
OPERATION MODE	
To Enter in Parameter Setting	SET
To View Different CT Current (To Change page)	▲
To Change Scroll & Hold Mode	▲ For 3 Sec
PARAMETER SETTING MODE	
To Change Parameter Value	▲
To Save & Exit From Parameter Setting Mode	SET For 3 sec

DISPLAY INDICATION



MODBUS

Slave Address	1-127
Baudrate	2400,4800,9600,19200,38400 bps
Parity	None,Even,Odd
Datatype	Integer,Float
Read Function Register	0x03,0x04
Write Function Register	0x06,0x10

Note :- When Parameter 32000 = Parameter not available

Sr.No	Access Type	Parameter	Register	
			Integer	Float
1	R	Current Of CT 1	0	0
2	R	Current Of CT 2	1	2
3	R	Current Of CT 3	2	4
4	R	Current Of CT 4	3	6
5	R	Current Of CT 5	4	8
6	R	Current Of CT 6	5	10
7	R	Current Of CT 7	6	12
8	R	Current Of CT 8	7	14
9	R/W	Address	8	16
10	R/W	Baudrate	9	18
		Selection	Value	
		B 2400	0	
		B 4800	1	
		B 9600	2	
		B 19200	3	
11	R/W	Parity	10	20
12	R/W	Datatype	11	22
		Selection	Value	
		Sign Integer	0	
		Float	1	
13	R/W	Scan Time	12	24
14	R/W	Frame delay	13	26

PARAMETER SETTING

